



# imperiale

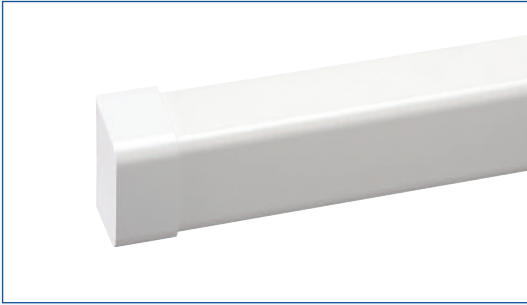
GmbH

**AIR CONDITIONING REFRIGERATION HEATING**  
via Balestra 27 6900 LUGANO - SWITZERLAND  
Tel. +41 799 63 53 21 Fax +41 919 50 93 94  
www.imperiale.biz e-mail: a.imperiale@imperiale.biz

# DUCTS GOULOTTES KANALS CANALETA CANALINE

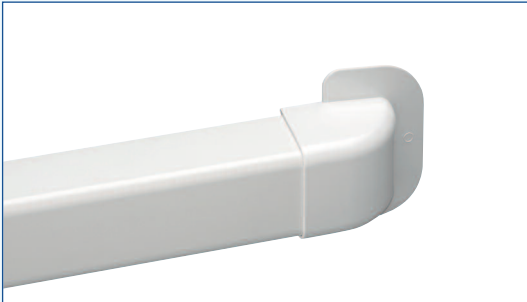
2

AVAILABLE IN PURE WHITE DISPONIBLE EN BLANC PURE  
AUCH REINWEISS DISPONIBLE EN BLANCO PURO  
DISPONIBILE IN BIANCO DURO



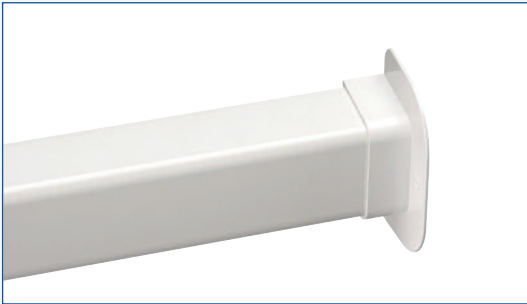
**END CAP BOUCHON TERMINAL**  
**ENDKAPPE TAPA TERMINAL TAPPO TERMINALE**

CODE ARTICLE	Dimension (mm)
EC-60TTapp	60 x 45
EC-70TTapp	70 x 55
EC-80TTapp	80 x 60
EC-90TTapp	90 x 65
EC-110TTapp	110 x 75
EC-140TTapp	140 x 90



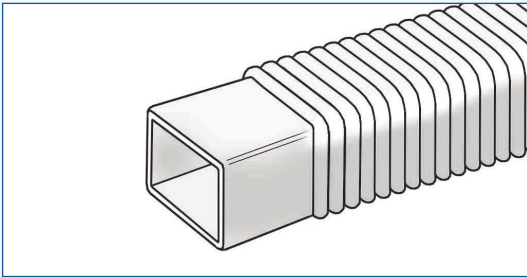
**WALL CURVE COURBE DE MUR**  
**WANDWINKEL CURVA DE LA PARED CURVA A MURO**

CODE ARTICLE	Dimension (mm)
EC-60CMuro	60 x 45
EC-70CMuro	70 x 55
EC-80CMuro	80 x 60
EC-90CMuro	90 x 65
EC-110CMuro	110 x 75
EC-140CMuro	140 x 90



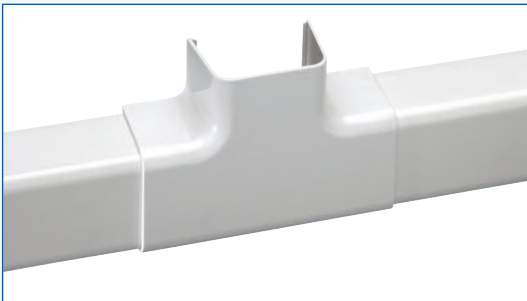
**WALL PASSAGE PASSAGE AU MUR**  
**WANDDURCHGANG PASAJE A LA PARED PASSAGGIO A MURO**

CODE ARTICLE	Dimension (mm)
EC-60PMuro	60 x 45
EC-70PMuro	70 x 55
EC-80PMuro	80 x 60
EC-90PMuro	90 x 65
EC-110PMuro	110 x 75
EC-140PMuro	140 x 90



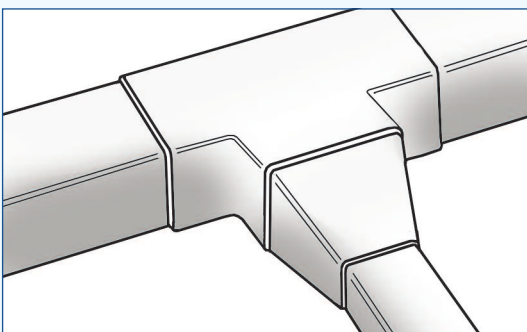
**FLEXIBLE JOINT JOINT FLEXIBLE FLEXIBLE VERBINDUNG**  
**CONEXION FLEXIBLE GIUNTO FLESSIBILE**

CODE ARTICLE	Dimension (mm)
EC-60GFlex	60 x 45
EC-80GFlex	80 x 60



**T-SHAPE DERIVATION DERIVATION A T T-ABZWEIGUNG**  
**DERIVACION A T DERIVAZIONE A T**

CODE ARTICLE	Dimension (mm)
EC-80DTditi	80 x 60
EC-90DTditi	90 x 65
EC-110DTditi	110 x 75
EC-140DTditi	140 x 90



**REDUCTION REDUCTION REDUZIERUNG**  
**REDUCCION RIDUZIONE**

CODE ARTICLE	Dimension (mm)
EC-80RID60	
EC-80RID70	
EC-90RID60	
EC-90RID70	
EC-110RID80	
EC-110RID90	
EC-140RID110	